

Type: Purivox CA-RC System



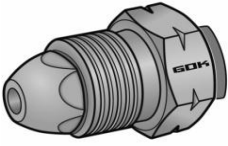
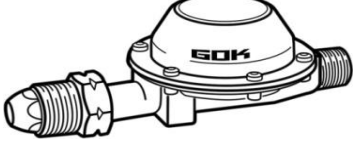


General data	
Part. No.	111310
Name:	Purivox CA-RC System Carousel Airport-Remote Controlled
Protection area:	8 ha (80000 m ²)

Technical data	
Weight	37 kg
Case ;without electronic unit and blast tubes	
Length	356 mm
Width	457 mm
Height	870 mm
Blast tubes	
Number of blast tubes	1
Length	950 mm
Diameter	Ø100 mm
Solar Panel 5,5W (optional part. No. 111317)	
Length	381 mm
Width	206 mm
Height	154 mm
Material details	
Case	Stainless steel - 1.4301
Blast tubes	Steel - 1.0036
Solar panel	Glas; located on the lid of the e-box
Gas type / Gas cylinder	
Gas type	LPG - Liquefied Petroleum Gas
CAS-number	74-98-6
Rec. gas cylinder size	Ø30cm x 60cm
Gas cylinder type	Standard gas cylinder (standing)



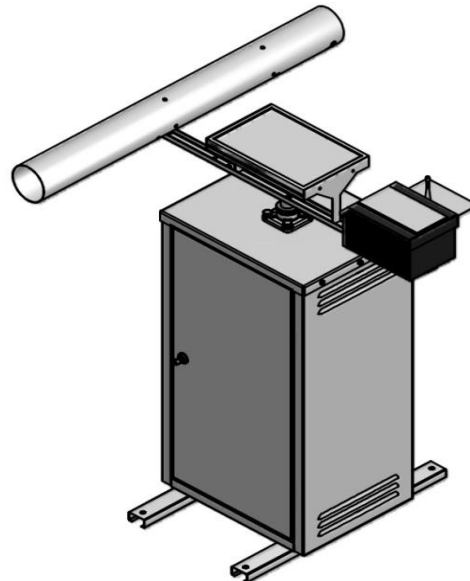
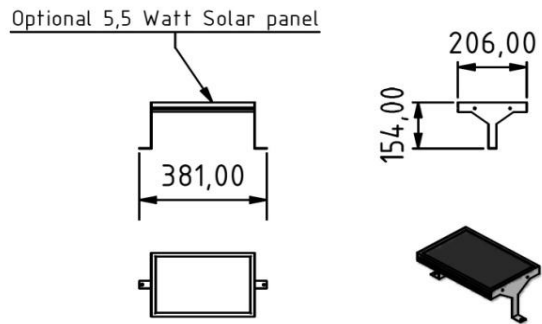
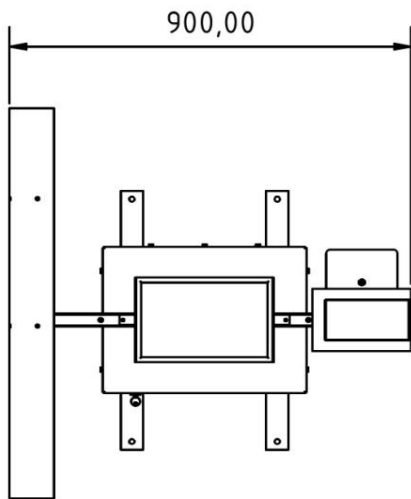
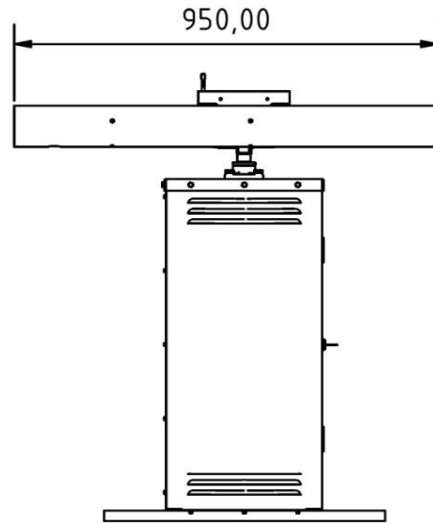
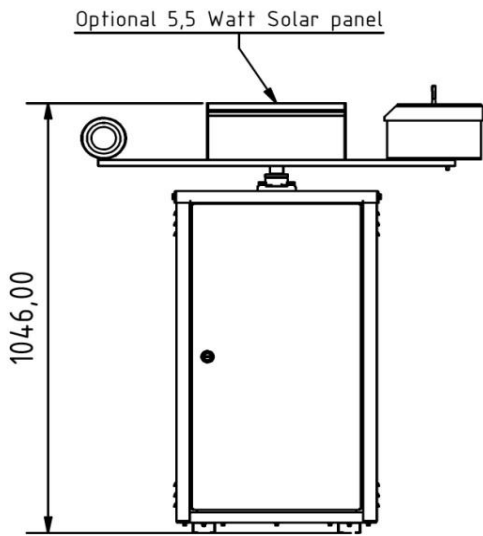
Transmitter frequency details	
Purivox CA-RC System transmitter	
Frequency band	868 Mhz
Purivox TX-H1 transmitter	
Frequency band	868 Mhz

Power supply details	
Solar panel output	2 W / 5,5 W (optional panel)
Solar panel type	Monocrystalline / Amorph (optional)
Battery details	12V - 3,4Ah
Battery type	6 cells Lead-acid battery

Gas cylinder connector / Gas regulator	
Gas regulator KLF	(part no.101630)
	
Gas regulator POL	(part no. 101610)
	
Gas regulator Shell	(part no. 101620)
	

Transport / Transport box	
Units per palette	2
Palette size/weight	1,2m x 0,8 m x 1,0m - 150kg (incl. unit)
Palette	IPPC





Purivox CA-RC System

purivox
AIRPORT BIRD CONTROL DEVICES